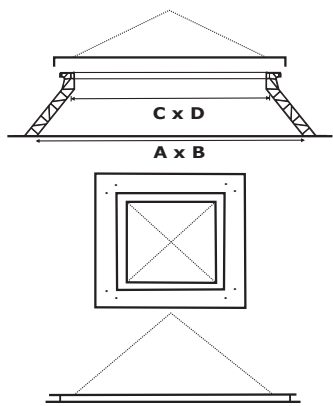


$G \times H = (A \times B) + 12 \text{ cm (aprox.)}$

PARABÓLICAS



PIRAMIDAIS



	MEDIDA EM OBRA CÚPULA COM BASE (AxB)	MEDIDA EM OBRA CÚPULA SIMPLES (CxD)	DIMENSÃO EXTERIOR CÚPULA SIMPLES (ExF)	ENTRADA DE LUZ M ²
QUADRADAS	50 x 50*	30 x 30	46 x 46	0,090
	60 x 60*	40 x 40	54 x 54	0,160
	70 x 70*	50 x 50	64 x 64	0,250
	80 x 80*	60 x 60	74 x 74	0,360
	90 x 90*	70 x 70	84 x 84	0,490
	100 x 100*	80 x 80	94 x 94	0,640
	110 x 110*	90 x 90	104 x 104	0,81
	120 x 120*	100 x 100	114 x 114	1,000
	130 x 130*	110 x 110	124 x 124	1,21
	140 x 140*	120 x 120	134 x 134	1,440
	150 x 150*	130 x 130	144 x 144	1,690
	160 x 160	140 x 140	154 x 154	1,960
	170 x 170	150 x 150	164 x 164	2,250
	180 x 180	160 x 160	177 x 177	2,590
200 x 200	180 x 180	194 x 194	3,240	
RECTANGULARES	50 x 100*	30 x 80	44 x 94	0,240
	60 x 80*	40 x 60	54 x 74	0,240
	60 x 90*	40 x 70	54 x 84	0,280
	60 x 100*	40 x 80	54 x 94	0,320
	60 x 120*	40 x 100	54 x 114	0,400
	60 x 200	40 x 180	54 x 194	0,720
	70 x 100*	50 x 80	64 x 94	0,400
	76 x 156	56 x 136	71 x 151	0,761
	80 x 100*	60 x 80	74 x 94	0,480
	80 x 110*	60 x 90	74 x 104	0,540
	80 x 120*	60 x 100	74 x 114	0,600
	80 x 140*	60 x 120	74 x 134	0,720
	90 x 120*	70 x 100	84 x 114	0,700
	94 x 140*	74 x 120	88 x 134	0,888
	100 x 150*	80 x 130	94 x 144	1,040
	100 x 200	80 x 180	94 x 194	1,440
	100 x 300	80 x 280	94 x 294	2,24
	114 x 174	94 x 154	108 x 168	1,447
	150 x 200	130 x 180	147 x 193	2,400
	160 x 240	140 x 220	154 x 234	3,080
170 x 238	150 x 218	164 x 232	3,270	
200 x 300	180 x 280	194 x 294	5,040	
CIRCULARES	60 Ø*	40 Ø	52 Ø	0,131
	70 Ø*	50 Ø	62 Ø	0,203
	80 Ø*	60 Ø	72 Ø	0,291
	90 Ø*	70 Ø	82 Ø	0,499
	100 Ø*	80 Ø	92 Ø	0,515
	110 Ø*	90 Ø	102 Ø	0,657
	120 Ø*	100 Ø	112 Ø	0,800
	130 Ø*	110 Ø	122 Ø	1,020
	140 Ø*	120 Ø	132 Ø	1,242
	150 Ø*	130 Ø	142 Ø	1,346
180 Ø	160 Ø	172 Ø	2,035	
200 Ø	180 Ø	192 Ø	2,571	
QUADRADAS	60 x 60	40 x 40	54 x 54	0,160
	70 x 70	50 x 50	64 x 64	0,250
	80 x 80	60 x 60	74 x 74	0,360
	90 x 90	70 x 70	84 x 84	0,490
	100 x 100	80 x 80	94 x 94	0,640
	120 x 120	100 x 100	114 x 114	1,000
	140 x 140	120 x 120	134 x 134	1,440
150 x 150	130 x 130	144 x 144	1,690	
RECTANGULARES	50 x 100	30 x 80	44 x 94	0,240
	60 x 80	40 x 60	54 x 74	0,240
	60 x 90	40 x 70	54 x 84	0,280
	60 x 100	40 x 80	54 x 94	0,320
	60 x 120	40 x 100	54 x 114	0,400
	60 x 200	40 x 180	54 x 194	0,720
	70 x 100	50 x 80	64 x 94	0,400
	80 x 100	60 x 80	74 x 94	0,480
	80 x 110	60 x 90	74 x 104	0,540
	80 x 120	60 x 100	74 x 114	0,600
	80 x 140	60 x 120	74 x 134	0,720
	90 x 120	70 x 100	84 x 114	0,700
	100 x 150	80 x 130	94 x 144	1,040
	100 x 200	80 x 180	94 x 194	1,440
	114 x 174	94 x 154	108 x 168	1,447

* Cúpulas disponíveis em ALTO IMPACTO e HEATSTOP.
As dimensões ExF são aproximadas.
Recomendamos a instalação das clarabóias bivalvas com base.